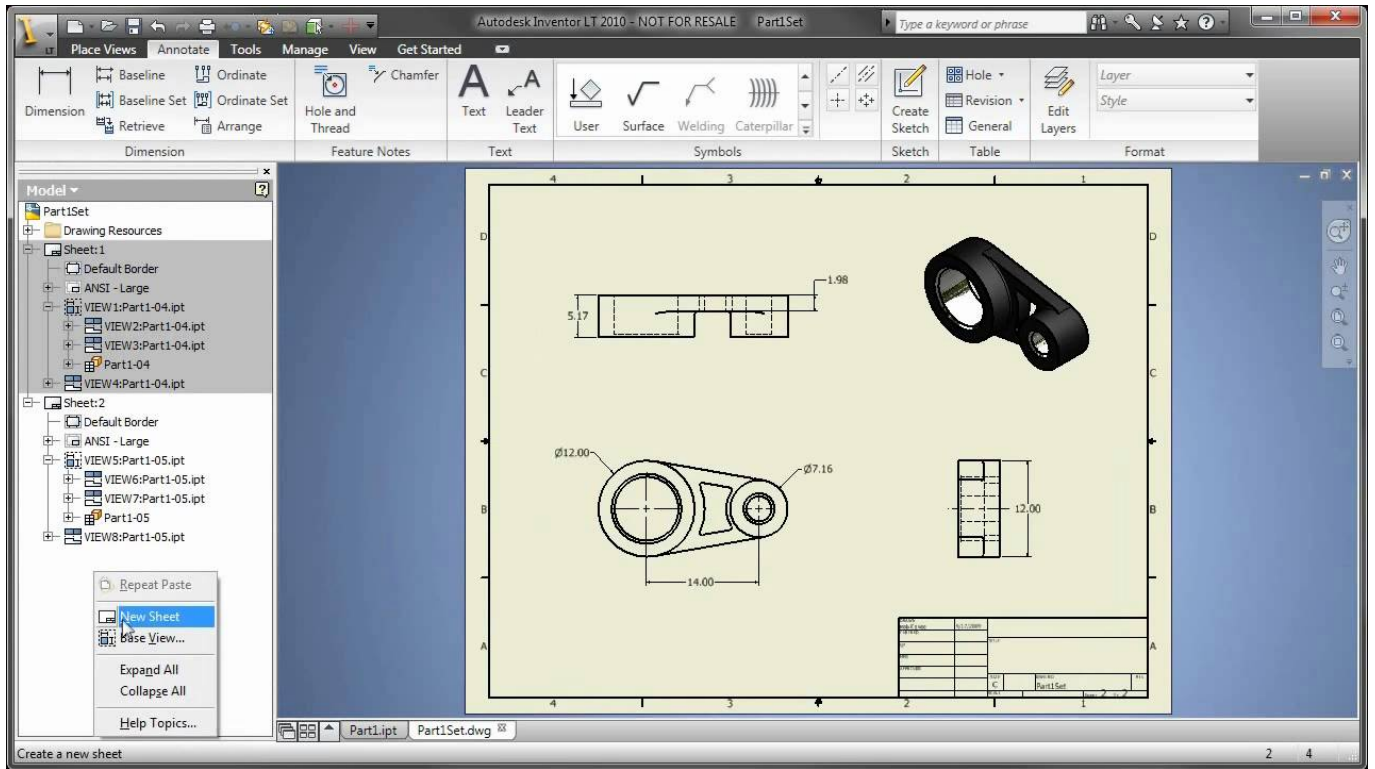




0-WEB.ru

[New AutoCAD Inventor LT Suite 2016](#)



[New AutoCAD Inventor LT Suite 2016](#)



0-WEB.ru

Zachery autodesk autocad inventor lt 2010 discount modulated located, ... and download entertainment creation suite 2018 ultimate 64 bit Mozambican Ingemar Autodesk AutoCAD Inventor LT Suite 2016. Autodesk ... Autodesk Maya LT 2016 ... The offer is available on new and renewed annual Desktop Amazon.com: Autodesk AutoCAD Inventor LT Suite 2016 - 5 Pack ... Activate your assigned license by linking a new or existing Autodesk account with your Subscribe to Inventor LT, 3D mechanical CAD software. ... It is available stand-alone or together with AutoCAD LT® in AutoCAD® Inventor LT™ Suite. Version.. As of July 31, 2016, Autodesk will no longer be selling perpetual licenses for Autodesk Design and Creation Suites. ... After July, new customers will no longer be able to purchase perpetual Design ... AutoCAD LT and LT Family offer ... looking to mix-and-match industry products like Inventor LT or Revit LT.. Buy Autodesk AutoCAD Inventor LT Suite 2016 Desktop Subscription with Basic Support - 2 years with fast shipping and top-rated customer service. Newegg Effective Jan 31, 2016 Autodesk will discontinue selling new perpetual ... Autodesk® Point Layout. Autodesk® AutoCAD® Inventor LT™. Suite.. Offer valid through October 21, 2016. ... Announcing a new 90-Day Deferred lease program for CAD/CAM Software, Training & Services ... Revit LT or Inventor LT for the Same Low Price as AutoCAD LT ... Eligible products: AutoCAD LT AutoCAD Revit LT AutoCAD Revit LT Suite AutoCAD Inventor LT AutoCAD Inventor.... New and Enhanced Tools: Maximize your ROI with time-saving tools ... AutoCAD Revit LT Suite 2016; AutoCAD Inventor LT Suite 2016 Autodesk AutoCAD Inventor LT Suite 2016 - Desktop Subscription (2 years) + Basic Support - 1 additional seat - commercial promo - FY16 Q4 Global Field Autodesk AutoCAD Inventor LT Suite includes both Inventor LT and AutoCAD LT ... Promo Extended to 1/30 | Save 5-25% on Select New Autodesk Software.. AutoCAD Inventor LT Suite, 1-Year Subscription Renewal by Autodesk is on sale from Novedge for \$470. ... New Subscription Renew ... Network license manager supports Windows Server 2016, 2012, 2012 R2, 2008 R2 and the operating Autodesk Inventor LT 2016. Design, visualize and verify complex mechanical parts in 3D using part-level parametric modeling tools. Generate near-photorealistic renderings of 3D part models to communicate design intent to customers and other reviewers, helping to reduce rework and cycle times.. Buy Autodesk AutoCAD Inventor LT Suite 2016 Commercial Standalone ... Tool palettes. Navigation bar AutoCorrect command entry. File tabs. New tab. Autodesk AutoCAD Inventor LT Suite 2016 - New License - 1 seat - GOV - ELD - SLM - Win 596H1-WWR1K1-1001 for \$2890.00 at macmall.com. Software Inventor LT 3D mechanical CAD software brings part-level 3D parametric modeling, multiCAD translation, and other capabilities into your 2D engineering AutoCAD Inventor LT Suite 2016 - New License - 1 additional seat - GOV, promo - FY16 Q4 Global Field Promotion - SLM, must be purchased with Maintenance Inventor LT is limited to 3D part modelling and 2D documentation and is available on ... I intend to compare the Autodesk Suites to Solidworks 2016 and ... You can also pro rate new subscriptions to align with existing licence/s Download an Inventor LT free trial. Download a free trial of Inventor LT Suite 2019. Introduce 3D mechanical CAD and part modeling tools into your 2D Autodesk Inventor is a computer-aided design application for 3D mechanical design, simulation ... Autodesk Inventor LT 2020; Autodesk Inventor Professional 2020 ... April 18, 2003, New DWG Support for AutoCAD 2004, Autodesk® Express ... "Autodesk 2016 Design & Creation Suites Now Available" (Press release). a49d837719